

## AFTERCARE INSTRUCTIONS

Keep the seat and cover in an upright position during cleaning to avoid discolouration of surfaces or rusting of metal parts.

Keep clean of limescale build up to ensure the longevity of the stainless steel fixings.

## CUSTOMER SERVICE

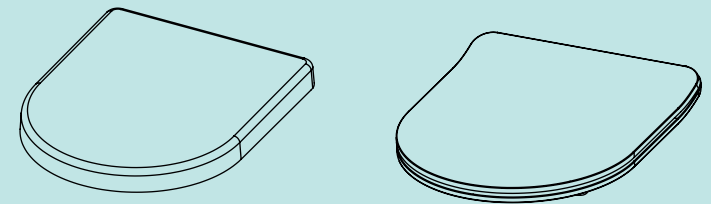
t: +44(0)208 686 5100  
e: technical@saneux.com

Iain Stewart Centre, Beehive  
Ring Road, Gatwick, RH6 0PB

[www.saneux.com](http://www.saneux.com)

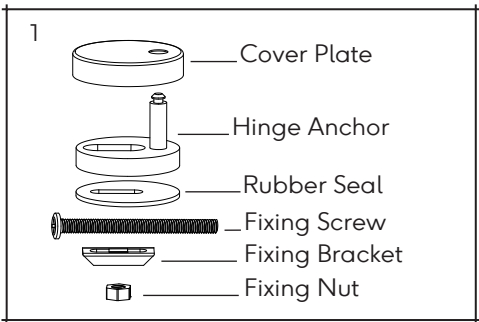
# UNI

## INSTALLATION INSTRUCTIONS



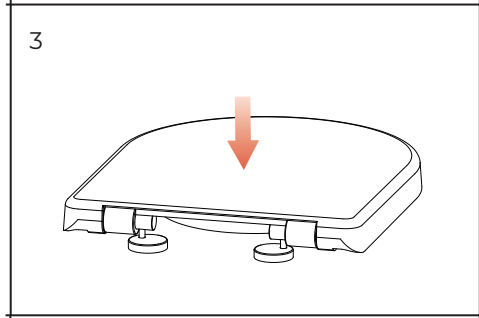
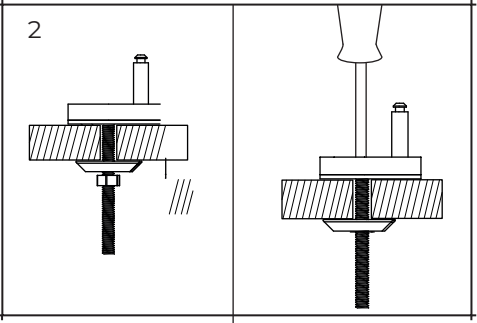
SOFT CLOSE TOILET SEAT  
66101 - 66102 - 66102W

saneux



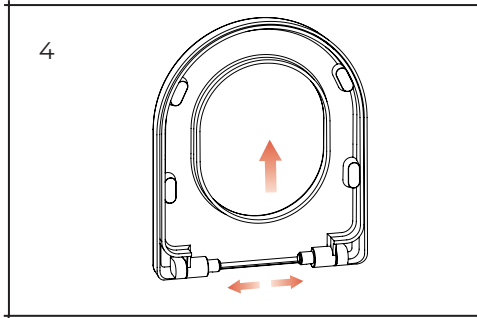
1. Make sure all the components are present.

2. Push the fixing screw through the hinge anchor ensuring all the components are in the correct order. Connect the fixing bracket and fixing nut from beneath. Tighten the screw moderately with a screw driver to secure the hinge anchor in place.



3. Align and locate the seat hinge on the hinge anchors and press down until the seat is parallel with the pan. Adjust the position of the seat so that it lines up with the edges of the pan.

4. When you are satisfied that the seat is in the correct position, remove the seat from the hinge anchors by pressing the two release buttons on the seat hinge. Tighten the screws fully and place the stainless steel cover plates on the hinge anchors. From the upright position, allow the seat to close on its own and check that the soft closing action is working correctly.



NOTES:

---



---



---



---



---



---



---



---



---



---